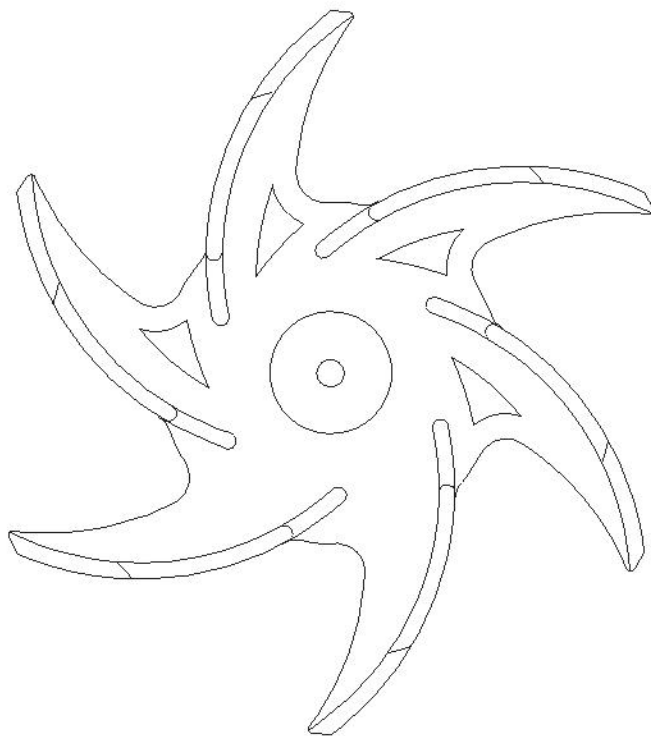


JEC - Always a Step Ahead

JEP SERIES CENTRIFUGAL PUMPS

JEPS SERIES SELF-PRIMING CENTRIFUGAL PUMPS



JEC
P U M P S

3IP

High Pride
Higher Performance
The Highest Quality





JEP/JEPS series Centrifugal Pumps

JEC - Always a Step Ahead

JEP SERIES

- The JEC JEP series pumps are ideal for hygienic application in field of dairy, food, beverage and other industries.
- The pumps come from long-term developed activities and experiences in the production of pumps combined with accumulated knowledge of products and their process.
- Ensures totally cleanable and self-draining for CIP and SIP so as to meet EHEDG and 3-A standards.
- All parts in contact with the liquid- casing, impeller and cover-are made of AISI316 stainless steel.
- Only one size of shaft seal is required for all JEP/JEPS series, so keeping a few parts in stock is simple and economical.
- Improved which isolated from case, impeller and shaft by gasket, unique front-loading product seal gives benefits of faster maintenance, easier cleaning, less downtime, and longer seal life. Without disconnecting the process line, both impeller and product seals can be fully accessed from the front of the pump by removing only the front cover.
- Further a self-balanced single seal can be easily changed to double seal in minutes with just a few extra parts.

JEPS SERIES

- Modern and simple construction.
- Various changeable impeller size.
- Lower noise level and power consumption.

*“ The higher the precision
the longer the span of product life ”*



JEP Series Centrifugal Pump



Unique Seal
Self-balanced Front Loading



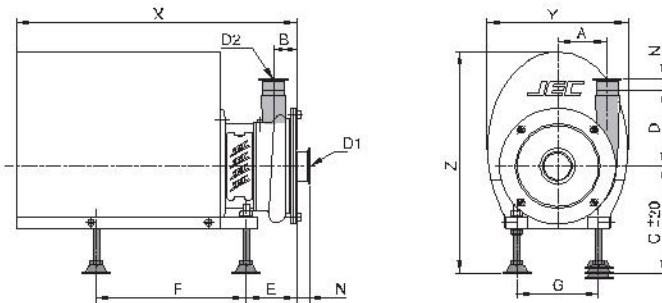
JEPS Series



Compact, Rigid Shaft
with Airscrew



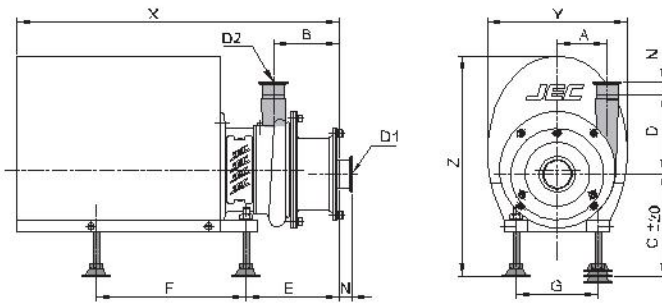
"The reliable choice for your process"



Connections / N						
Size	CLAMP	IDF	DIN	SMS	BS	Flange
1,5"	20	25	30	20	26	30
2"	22	27	30	22	26	30
2,5"	26	26	37	26	26	35

■ OUTLINE DIMENSION

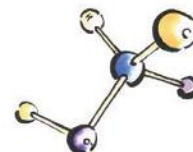
Model NO.	Motor / KW	Dimensions										D1 x D2 / STD.	Weight Kg	Volume M ³
		A	B	C	D	E	F	G	X	Y	Z			
JEP508	0,75 / 1,1	88	40	130	133	88	265	140	465	242	384	2" x 1,5"	37	0,09
JEP508	1,5 / 2,2	88	40	130	133	88	265	140	495	242	384	2" x 1,5"	41 / 44	0,04
JEP508	3	88	40	130	133	88	265	140	495	242	384	2" x 1,5"	53	0,05
JEP513	3,7 / 4	88	40	204	133	95	300	190	558	292	435	2" x 1,5"	62	0,05
JEP809	5,5 / 7,5	104	54	238	133	134	360	216	635	315	320	2,5" x 2"	87 / 92	0,09
JEP809	11 / 15 / 18,5	104	54	280	133	134	464	256	752	412	384	2,5" x 2"	141 / 151 / 171	0,14
JEP812	11 / 15 / 18,5	104	54	280	133	134	464	256	752	412	384	2,5" x 2"	141 / 151 / 171	0,14



Connections / N						
Size	CLAMP	IDF	DIN	SMS	BS	Flange
1,5"	20	25	30	20	26	30
2"	22	27	30	22	26	30
2,5"	26	26	37	26	26	35

■ OUTLINE DIMENSION

Model NO.	Motor / KW	Dimensions										D1 x D2 / STD.	Weight Kg	Volume M ³
		A	B	C	D	E	F	G	X	Y	Z			
JEP508	1,5 / 2,2	88	115	182	141	163	265	140	573	242	392	2" x 1,5"	41 / 44	0,04
JEP508	3	88	115	182	141	170	300	190	573	242	445	2" x 1,5"	53	0,05
JEP510	3,7 / 4	88	115	186	141	170	300	190	634	292	435	2" x 1,5"	62	0,05
JEP509	5,5 / 7,5	104	137	253	143	190	390	216	721	315	520	2,5" x 2"	87 / 92	0,09
JEP509	11 / 15 / 18,5	104	137	273	143	220	464	256	853	412	584	2,5" x 2"	141 / 151 / 171	0,14
JEP512	11 / 15 / 18,5	104	137	273	143	220	464	256	853	412	584	2,5" x 2"	141 / 151 / 171	0,14



VSP COMPONENTI PER INDUSTRIA ALIMENTARE E FARMACEUTICA

0331 / 13.51.403
0331 / 15.86.028

vsp-italia@libero.it

www.pompealimentari.it